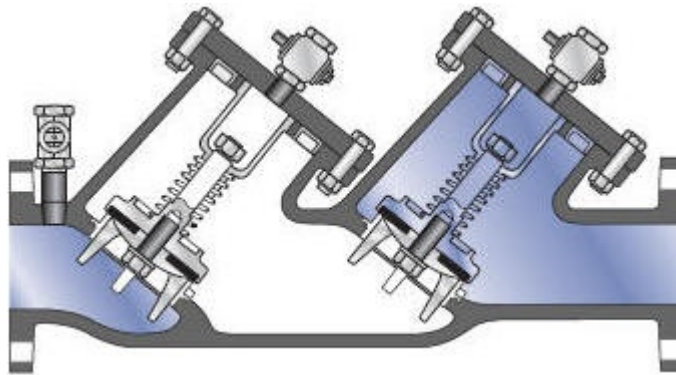


Creston Water System, Inc.
Provençal, Louisiana

**Cross Connection Control
Policy & Procedures Manual**

Program Administration, Requirements and
Implementation

DATE: March 28, 2019



Prepared by:
Creston Water System, Inc.
P.O. Box 484
Campti, LA 71411
(318) 875-2112
crestonwater@yahoo.com

Approval Date: _____

Contents

1.0	Authority.....	3
1.1	Bellwood Water System Inc. Cross Connection Policy.....	3
1.2	LAC 51 – Sanitary Code Part XII Water Supplies Chapter 3	4
1.3	International Plumbing Code Adoption.....	6
1.4	Code Reference Guide.....	7
2.0	Administrative Procedures.....	8
2.1	Implementation Timeline	8
2.2	Staff Assignment	9
2.3	Standard Operating Procedures	9
	a. Records.....	9
	b. Compliance and Enforcement	10
	c. Public Education.....	11
	d. Bulk Water Sales	11
	e. Residential Dual Check.....	12
3.0	Risk Assessments	13
4.0	Inventory	14
5.0	Test Reports	15
5.1	Device Reports.....	15
5.2	Air Gap Reports.....	15
6.0	Certified Testers List	16
7.0	Emergency Response Plan	17
7.1	Backflow Incident Report Form.....	21

1.0 Authority

1.1 Creston Water System Inc. Cross Connection Policy adopted by the Creston Water System Board of Directors on April 25, 2019.

1.2 LAC 51 – Sanitary Code Part XII Water Supplies Chapter 3

~~may transport the recipient to a more distant facility if the individual provider will accept reimbursement from the department to the nearest facility and assumes responsibility for additional expenses incurred.~~

~~AUTHORITY NOTE: Promulgated in accordance with R.S. 36:254 and Title XIX of the Social Security Act.~~

~~HISTORICAL NOTE: Promulgated by the Department of Health, Bureau of Health Services Financing, LR 42-1093 (July 2016).~~

~~§573. Non-Emergency, Non-Ambulance Transportation~~

~~A. F.S. ...~~

~~C. Effective for dates of service on or after October 1, 2014, the monthly payment of capitated rates shall be replaced with a per trip payment methodology.~~

~~1. Payments previously made using the monthly capitated rate shall be made by dividing the monthly rate by the number of authorized trips within a given month. Each trip will then be reimbursed separately.~~

~~AUTHORITY NOTE: Promulgated in accordance with R.S. 36:254 and Title XIX of the Social Security Act.~~

~~HISTORICAL NOTE: Promulgated by the Department of Health and Hospitals, Office of the Secretary, Bureau of Health Services Financing, LR 33-462 (March 2007), LR 34-878 (May 2008), amended by the Department of Health, Bureau of Health Services Financing, LR 36-2564 (November 2010), LR 37-2030 (October 2011), amended LR 38-2214 (December 2012), amended by the Department of Health, Bureau of Health Services Financing, LR 42-1094 (July 2016).~~

Rebekah E. Gee MD, MPH
Secretary

1607#054

RULE

Department of Health
Office of Public Health

Backflow and Cross Connection Control in Water Supplies (LAC 51:XII.344 and 346)

Under the authority of R.S. 40:4 and 40:5 and in accordance with R.S. 49:950 et seq., the Administrative Procedure Act, the state health officer, acting through the Department of Health, Office of Public Health (LDH-OPH), has amended Part XII (Water Supplies) of the Louisiana state *Sanitary Code* (LAC 51). The amendments are necessary to ensure that public water supplies continue to protect their water systems from backflow and cross connections which may occur on customer premises and which can cause contamination of the water supply.

As required by Act 836 of the 2014 Regular Legislative Session, Part XIV (Louisiana state Plumbing Code) of the Louisiana state *Sanitary Code* (LAC 51, *Public Health—Sanitary Code*) became null and void on January 1, 2016. In accordance with the Act, the Louisiana state Uniform Construction Code Council (LSUCCC) promulgated new state plumbing regulations through emergency rules under the state *Uniform Construction Code* (LAC 17:I). Before January 1, 2016, comprehensive backflow protection/cross connection control regulations designed to protect public health applicable to plumbing were contained in Part XIV (Plumbing) of the state *Sanitary*

Code. Effective January 1, 2016, some of these same backflow protection/cross connection control regulations applicable to plumbing have been adopted by the LSUCCC under the state *Uniform Construction Code*, particularly within the 2012 *International Plumbing Code* and within the 2012 *International Residential Code* (see December 20, 2015 *Louisiana Register*, Volume 41, page 2545 and June 2016 *Louisiana Register*, Volume 42, page 826).

The state health officer, through LDH-OPH, has promulgated a Rule that finalizes the requirements of an Emergency Rule (the “ER”) concerning cross connection control/protection of the water supply which became effective on February 23, 2016. This Rule maintains the requirements of the ER which amended Part XII (Water Supplies) of Title 51 (*Public Health—Sanitary Code*) in order to direct public water systems to utilize the backflow and cross connection control regulations contained in the state *Uniform Construction Code*. Prior to the adoption of these ERs, Part XII was outdated because it directed water suppliers to Part XIV of the state *Sanitary Code* relative to protecting its system from backflow and cross connections on customer premises. As mentioned above, plumbing regulations formerly contained under Part XIV of the state *Sanitary Code* have been repealed effective January 1, 2016.

In addition, these ERs adopted comprehensive qualification requirements for persons involved in installing, repairing, testing, and maintaining backflow prevention devices and methods. This Rule keeps those requirements in place to ensure that all persons involved in the installation, repair, testing and maintenance of backflow prevention devices are qualified to perform such work.

For these reasons, Part XII (Water Supplies) of the Louisiana state *Sanitary Code* (LAC 51:XII) is amended as follows.

Title 51 PUBLIC HEALTH—SANITARY CODE Part XII. Water Supplies

Chapter 3. Water Quality Standards §344. Protection of Water Supply/Containment Practices

A. As used in this Section, “mandatory containment practices” means the containment practices prescribed in and required by the state *Uniform Construction Code*, LAC 17:I, including maintenance and testing requirements, and any additional or related requirements of this Part.

B. In order to protect its water supply from potential contamination, each water supplier shall develop and implement a written backflow prevention plan outlining the policies and procedures it will use to verify that its customers comply with mandatory containment practices, and shall make a reasonable effort to ensure that only customers who comply with mandatory containment practices connect or remain connected to its water supply.

C. Unless otherwise directed by the state health officer, a water supplier shall disconnect or refuse to connect customers who:

1. fail to comply with mandatory containment practices; or
2. fail to provide or allow adequate confirmation of such compliance.

D. If a water supplier has a reasonable basis to believe that an unprotected or improperly protected cross connection

exists on the premise of any customer not required to comply with mandatory containment practices, the water supplier shall take reasonable steps to perform one or more of the following:

1. confirm that the cross connection on the premise is eliminated or does not exist;
2. confirm that approved fixture isolation backflow protection is installed at the cross connection on the premise in accordance with the fixture isolation practices prescribed in and required by the state *Uniform Construction Code* (LAC 17:1);
3. confirm that approved containment backflow protection is installed; or
4. discontinue water service to the customer.

E. When deemed necessary to protect public health, the state health officer may issue an administrative order or emergency order requiring a water supplier to comply with this Section.

AUTHORITY NOTE: Promulgated in accordance with the provisions of R.S. 40:4(A)(8) and 40:5(A)(2)(3)(5)(6)(17)(20).

HISTORICAL NOTE: Promulgated by the Department of Health and Hospitals, Office of Public Health, LR 38:2795 (November 2012), amended by the Department of Health, Office of Public Health, LR 42:1094 (July 2016).

§346. **Installer, Repairer, Tester and Maintainer Qualifications for Backflow Prevention Devices and Methods**

A. **Installer/Repairer/Maintainer Qualifications.** Backflow preventers shall be installed, repaired and/or maintained by a state Plumbing Board of Louisiana (SPBLA) -licensed plumber who holds an SPBLA water supply protection specialist endorsement on his/her plumbing license pursuant to R.S. 37:1361 et seq., and its implementing regulations (LAC 46:LV.101 et seq.). Backflow preventers associated with a landscape irrigation system may be installed, repaired and/or maintained by a Horticulture Commission of Louisiana-licensed landscape irrigation contractor who holds an SPBLA-issued special water supply protection specialist endorsement in accordance with R.S. 3:3808(P). Backflow preventers located on public property or otherwise under the complete control of the water supplier (for example, water meter and the piping upstream of the water meter, if provided), may be installed, repaired and/or maintained by a backflow prevention assembly repairer who meets the ASSE 5130-2009 (backflow prevention assembly repairer professional qualification standard) or other individuals holding a backflow prevention assembly repairer certificate from a nationally recognized backflow certification organization approved by the state health officer.

B. **Field Tester Qualifications.** Backflow preventers shall be tested by a state Plumbing Board of Louisiana (SPBLA) -licensed plumber who holds an SPBLA water supply protection specialist endorsement on his/her plumbing license pursuant to R.S. 37:1361 et seq., and its implementing regulations (LAC 46:LV.101 et seq.); or, by a backflow prevention assembly tester who meets ASSE 5110-2009 (backflow prevention assembly tester professional qualification standard), or other individuals holding a testing certificate from a nationally recognized backflow certification organization approved by the state health officer. Backflow preventers associated with a landscape irrigation system may be tested by a Horticulture

Commission of Louisiana-licensed landscape irrigation contractor who holds an SPBLA-issued special water supply protection specialist endorsement in accordance with R.S. 3:3808(P).

AUTHORITY NOTE: Promulgated in accordance with R.S. 40:4(A)(8) and R.S. 40:5(A)(2)(3)(5)(6)(17)(20).

HISTORICAL NOTE: Promulgated by the Department of Health, Office of Public Health, LR 42:1095 (July 2016).

Rebekah E. Gee MD, MPH
Secretary

1607#035

RULE

**Department of Insurance
Office of the Commissioner**

Regulation 32—Group and Individual Coordination of Benefits (LAC 37:XIII Chapter 3)

~~The Department of Insurance, pursuant to the authority of the Louisiana Insurance Code, R.S. 22:1 et seq., and in accordance with the Administrative Procedure Act., R.S. 49:950 et seq., hereby gives notice of its intent to amend and promulgate Regulation 32—Group Coordination of Benefits. The purpose of the regulation is to establish a uniform order of benefit determinations.~~

~~The purpose for amending Regulation 32 is for the Department of Insurance to adopt the National Association of Insurance Commissioners' Model regulation entitled "Coordination of Benefits Model Regulation".~~

~~Title 37~~

~~INSURANCE~~

~~Part XIII Regulations~~

~~Chapter 3: Regulation 32—Group Coordination of Benefits~~

~~§301: Purpose and Applicability~~

~~A. The purpose of this regulation is to:~~

- ~~1. establish a uniform order of benefit determination under which plans pay claims;~~
- ~~2. reduce duplication of benefits by permitting a reduction of the benefits to be paid by plans that, pursuant to rules established by this regulation, do not have to pay their benefits first; and~~
- ~~3. provide greater efficiency in the processing of claims when a person is covered under more than one plan.~~

~~B. This regulation applies to all plans which includes all accident and health products and health maintenance organization products that are issued on or after the effective date of this regulation, which is [insert date].~~

~~AUTHORITY NOTE: Promulgated in accordance with R.S. 22:2.~~

~~HISTORICAL NOTE: Promulgated by the Department of Insurance, Office of the Commissioner, LR 17:67 (January 1991), amended LR 20:52 (January 1994), LR 23:415 (April 1997), LR 41:1095 (July 2016).~~

~~§303: Definitions~~

~~A. As used in this regulation, these words and terms have the following meanings, unless the context clearly indicates otherwise.~~

~~Allowable Expense—except as set forth below or where a statute requires a different definition, means any health care expense, including coinsurance or copayments and~~

1.3 International Plumbing Code Adoption



Louisiana HB 1048/ACT 836 Fact Sheet

Louisiana House Bill 1048 was signed by the Governor on June 23rd, 2014 and enacted as Act Number 836 of 2014. With an effective date of January 1st, 2016, this Act repeals the authority of the State Health Officer, acting through the Office of Public Health (OPH) of the Department of Health and Hospitals (DHH), to prepare and promulgate plumbing rules and regulations.

In accordance with the Act, the Louisiana State Plumbing Code [Part XIV (Plumbing) of Title 51 (State Sanitary Code) of the Louisiana Administrative Code (LAC)] will be null, void, and unenforceable on and after January 1, 2016. As required, the Louisiana State Uniform Construction Code Council (LSUCCC) will promulgate State plumbing regulations through the evaluation, adoption, and amendment of the following codes as part of the State Uniform Construction Code:

- The 2012 International Building Code, Chapter 29-Plumbing Systems;
- The 2012 International Residential Code, Part VII-Plumbing; and,
- The 2012 International Plumbing Code.

Applicable plumbing provisions of these codes, along with state amendments thereto adopted by the LSUCCC, will become effective January 1, 2016. The International Codes can be assessed at: <http://publiccodes.cyberregs.com/icod/index.htm>

Louisiana amendments were published as an Emergency Rule in the December 2015 Issue of the Louisiana Register. These amendments can be accessed at: <http://www.doa.la.gov/osr/EMR/1512EMR082.pdf>

Beginning on January 1st, 2016, all plumbing systems will be required to be designed in accordance with the provisions of these codes, as amended by the LSUCCC. This includes new construction, reconstruction, and the extensive alterations or repair of buildings and other structures. In accordance with the Act, DHH will no longer have enforcement authority over the new plumbing provisions that will become part of the State Uniform Construction Code. Enforcement of such will be handled in accordance with LA R.S. 40:1730.21 which requires all local municipalities and parishes in the State to enforce the State Uniform Construction Code. This includes plan review, conducting of inspections, and the issuance, denial, or revocation of permits.

In addition, the new law amends the Louisiana Building Code (which governs the design of state-owned buildings) by removing compliance with Part XIV (Plumbing) of the State Sanitary Code and replaces it with the above referenced codes, as amended by the LSUCCC. Beginning on January 1st, 2016, the Office of Facility Planning and Control of the Division of Administration will be responsible for ensuring that state-owned buildings comply with these newly adopted plumbing regulations.

For any questions regarding these changes, please contact the Louisiana State Uniform Construction Code Council or DHH/OPH—Engineering Services at:

LA State Uniform Construction Code Council:

Address: 8181 Independence Blvd.,
Baton Rouge, LA 70806

Phone: 225-922-0817

Fax: 225-922-2065

Web: <http://lsuccc.dps.louisiana.gov/index.html>

DHH/OPH – Engineering Services:

Address: 628 N. 4th Street,
Baton Rouge, LA 70802

Phone: 225-342-7499

Fax: 225-342-7303

Web: www.dhh.la.gov/index.cfm/page/549/n/281

1.4 Code Reference Guide

2012 International Plumbing Code / 2012 International Residential Code (as amended) Backflow/Cross-Connection Control Requirements				
	IPC Provisions/Amendments		IRC Provisions/Amendments	
	IPC Location [Section Number(s)]	IPC Amendment Location [LAC 17:1]	IRC Location [Section Number(s)]	IRC Amendment Location [LAC 17:1]
	312.10.1 - 312.10.3	§111.C.7, §111.C.8, §111.C.9 (new section)	P2902.8.1 – P2908.8.3	§107.A.8.i – §107.A.8.k; §107.A.8.l (new section)
	608.14	§111.F.23	P2902.6	§107.A.8.g
	608.14.1 - 608.14.2	§111.F.24	P2902.6.1 – P2902.6.2	§107.A.8.h
	607.3.2	§111.F.18	P2903.4.1 – P2903.4.2	§107.A.8.m
tion	608.1, Table 608.1, 608.13	§111.F.19	P2902.3 – P2902.3.6, Table P2902.3.	§107.A.8.a & §107.A.8.b
s	Table 608.1, 608.13.1, 608.15.1, Table 608.15.1	No amendments made to these Sections/Table	Table P2902.3, P2902.3.1, Table P2902.3.1	No amendments made to these Sections/Table
P)	Table 608.1, 608.13.2	No amendments made to these Sections/Table	Table P2902.3, P2902.3.5	No amendments made to these Sections/Table
ve	Table 608.1, 608.13.7	No amendments made to these Sections/Table	Table P2902.3, P2902.3.6	No amendments made to these Sections/Table
um	Table 608.1, 608.13.6, 608.15.4	§111.F.25	Table P2902.3, P2902.3.2	§107.A.8.a
/B)	Table 608.1, 608.13.5, 608.13.8, 608.15.4	§111.F.25	Table P2902.3, P2902.3.4	§107.A.8.b
s	Table 608.1, 605.3.1 (new section), 608.6	§111.F.11 (new section), §111.F.21	Table P2902.3	No amendment made to this Section
	608.2, 608.3, 608.16 – 608.16.27	§111.F.27 – §111.F.29; §111.F.30 – §111.F.46 (new sections)	P2902.2, P2902.4, P2902.5	§107.A.8.c, §107.A.8.d; §107.A.8.e & §107.A.8.f (new sections)
	608.18, 608.18.1, Table 608.18.1, 608.18.2 (new sections)	§111.F.49 – §111.F.52 (new sections)	NA	NA
	608.16.27 (new section)	§111.F.46 (new section)	NA	NA
	608.3.1	No amendment made to this Section	NA	NA
er	608.6.1, 608.17	§111.F.47	P2902.1	No amendment made to this Section
	608.7	No amendment made to this Section	NA	NA

2.0 Administrative Procedures

2.1 Implementation Timeline

Task	Date of Completion	Comments
Established legal authority to implement a program.		
Assess purveyor's water system for cross-connections.		
Install backflow preventer on purveyor's system		
Conduct hazard assessment for new customers (questionnaire/survey)	Upon application for new service	
Conduct hazard assessment when building modifications are made requiring a building or plumbing permit	Upon permit	
Ensure backflow preventers are installed for new customers	Before service is provided	
Mailed questionnaire/survey to all commercial and residential customers (Initial Hazard Survey of System)		
Conduct hazard assessments for existing high hazard customers & notify existing high hazard customers of hazard assessment results and backflow preventer installation requirements.		
Ensure backflow preventers are installed for existing high hazard customers		
Re-assess all backflow preventers	Annually	

2.2 Staff Assignment

Title	Assignments
Board President and Operator	Manage program, answer questions from public, initiate action to eliminate cross-connections
Clerk/Office Staff	Process paper work related to CCC/BFP program (survey records, correspondence, etc.), answer general questions from public
Field Staff – Maintenance Workers	Be aware of and report uncontrolled cross-connections found in distribution system.

2.3 Standard Operating Procedures

a. Records

Record keeping includes the maintenance of paper files and computer documentation of each account. Paper files will be filed in water customer account number order.

Paper files will be created for each water customer account and will include the following information:

- Original Initial Questionnaire/Survey and subsequent field survey forms
- Copies of each letter sent to the customer requesting and annual test or new installation.
- Notes regarding phone conversations, copies of additional correspondence or other items as deemed appropriate.
- Backflow Test reports and Alarm Check Valve Tear Down and Fire Riser Flow Inspection forms documenting annual compliance.

Records will be created for each water customer with a backflow prevention device or assembly, and will include the following information:

- Water customer account numbers
- Property owner information
- Facility information
- Existing backflow assembly information or identifiers for backflow assemblies being requested to be installed
 - backflow assembly identification number and description;

- location of backflow assembly;
- installation date of backflow assembly, and all information regarding surveys;
- date of tests to verify that the backflow assembly is functioning properly;
- description of repairs and recommendations for repairs made by tester;
- Water meter information
- Annual test due dates
- Letter generation / schedule codes for each account
- Protection status codes
- Service type codes
- On-site assembly location
- Survey dates, recommendations and resurvey codes
- Hazard codes
- Backflow testing results for each year
- Backflow tester information
- Custom codes as deemed appropriate
- Facility or assembly comments

Other records to maintain:

- Active and inactive letters requesting annual testing and/or installation requirements
- Tester certification letters and test kit compliance letters
 - the tester's name and certificate number;
 - a record of each backflow assembly tester certification renewal date;
 - a current, (annual) record of each certified tester's successful testing gauge calibration results
- Updated lists of approved backflow assemblies, certified testers, hazard codes and all other detailed items as necessary to accurately document the status of each account.
- A history of activities for each account in terms of letter generation and response to recommendations for each account.

b. Compliance and Enforcement

All correspondence with customers will be completed in writing with the finale notice of non-compliance resulting in service interruption by certified mail. Sample letters developed include the following compliance and enforcement requirements:

1. First notice letters are sent out sixty (60) days prior to certified backflow test being due and water being shut off. (A response time of 60 days is noted on the letter)
2. If the passing test reports are not received after thirty (30) days, a reminder notice letter is sent prior to water being shut off. (A response time of 30 days is noted on the letter)
3. If the passing test reports are not received after forty-five (45) days, a final reminder notice letter is sent out prior to the water being shut off. (A response time of 15 days is noted on the letter)
4. If the passing test reports are not received by the compliance date, water service will be shut off on the following working day.
5. Water service will remain shut off until a passing certified backflow test is received or performed under the observance of a water quality representative, with a copy of such provided at that time.
6. Other letters:
 - Request to complete Questionnaire
 - Request to Submit Test Report
 - Second Notice to Submit Test Report
 - Request to Install Backflow Prevention Device
 - Questionnaire/Water Use Survey Form

c. Public Education

Brochures explaining cross-connections and backflow will be distributed to customers every few years.

d. Bulk Water Sales

There are 3 general requirements for a fire hydrant/construction meter backflow protection:

1. All temporary and/or hydrant meters issued by the water system for construction usage require either an approved Air Gap or a Reduced Pressure Principal Assembly

backflow protection to be installed at an approved location behind the meter at the time that the temporary water meter is installed.

2. If the approved Air Gap option is chosen, the customer must get an approval for the actual Air Gap to be utilized prior to the first usage of the meter. If the Reduced Pressure assembly option is chosen, the RP must be successfully tested prior to the first usage of the meter for construction purposes, and a copy of the test report forwarded promptly to the water system.
3. Thereafter, whenever the water meter is relocated, or on each yearly anniversary of the first installation of the meter that the meter is still in place, the Air Gap must be re-inspected by the water system, or else the backflow assembly must be successfully retested and a copy of the test report must be promptly forwarded to the water system, depending on the option chosen by the Contractor.

Please note: The customer is responsible for providing and maintaining the Air Gap or RP, whichever option is chosen.

e. Residential Dual Check

It is the policy of **Creston Water System** to install a dual check valve on the customer side of the meter as an extra level of backflow protection for low hazard residential services in accordance with the 2012 International Plumbing Code (amended) Backflow/Cross-Connection Control Requirements:

605.3.1 Dual check-valve-type backflow preventer.

Dual check-valve backflow preventers installed on the water supply system shall comply with ASSE 1024 or CSA B64.6. These devices, which are commonly installed immediately downstream of water meters by water suppliers, are not approved backflow prevention devices and are only allowed to be installed when no cross connections exist downstream of the device or when all downstream cross connections are properly protected by approved backflow prevention devices, assemblies, or methods in accordance with Section 608 of this code.

3.0 Risk Assessments

All original assessments (Water Use Survey's) are kept on file in the System Office at 1135 Hart Road, Campti, LA, 71411.